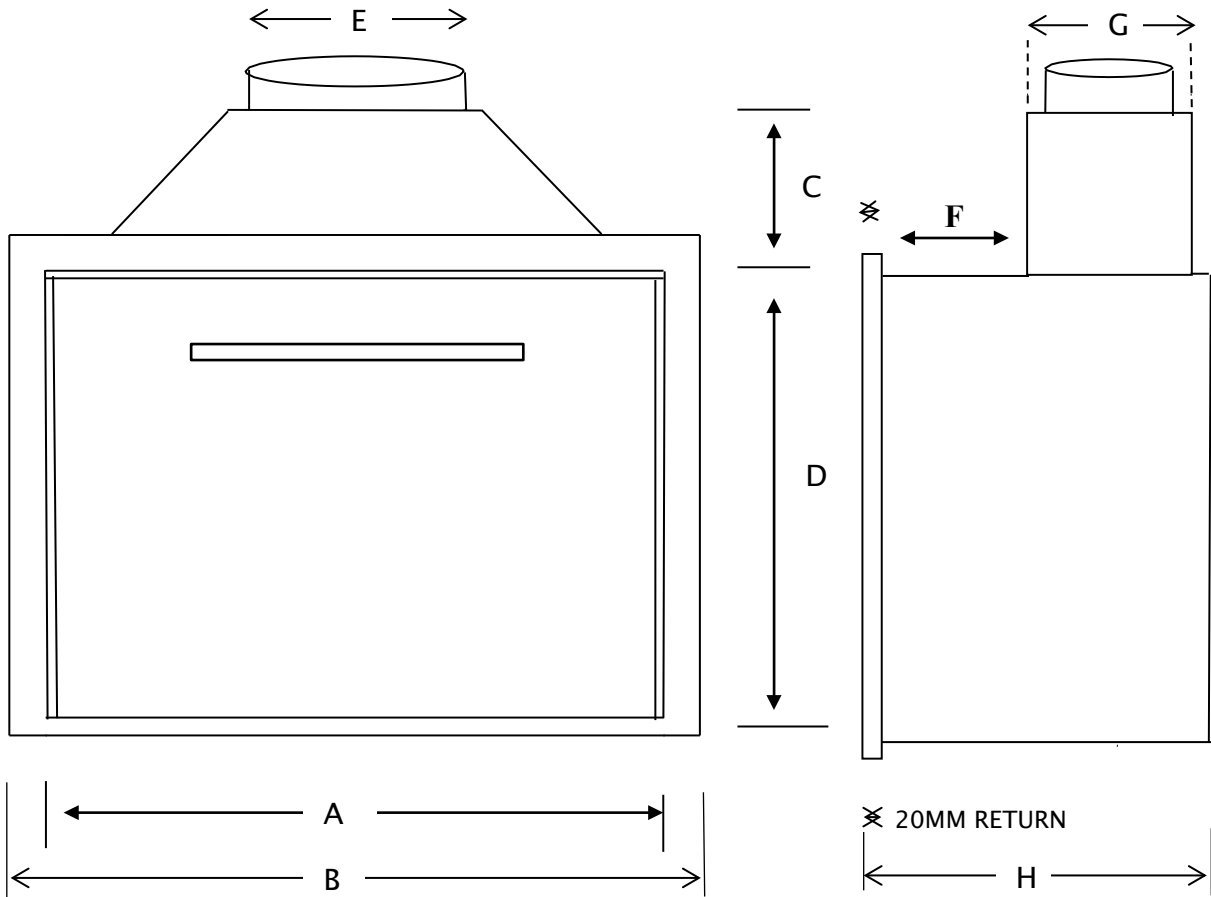


SPECIFICATIONS FOR THERMO PREMIUM BRAAIS



PRODUCT	A	B	C	D	E	F	G	H
MEASUREMENTS GIVEN IN MILLIMETERS								
700	700	800	200	760	250 Ø	230	250	525
800	800	900	200	760	300 Ø	180	300	525
1000	1000	1100	200	760	350 Ø	130	350	525
1150	1150	1250	200	760	350 Ø	130	350	525
1450	1450	1600	200	760	490 x 340	180	300	525
1750	1750	1900	200	760	700 X 350	130	350	525
Standard Flange widths are 50 mm. Wider flanges may be ordered special.								



THERMO FIRES

All rights reserved